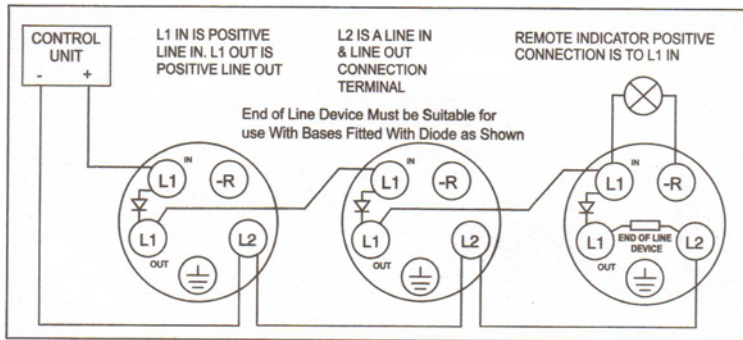


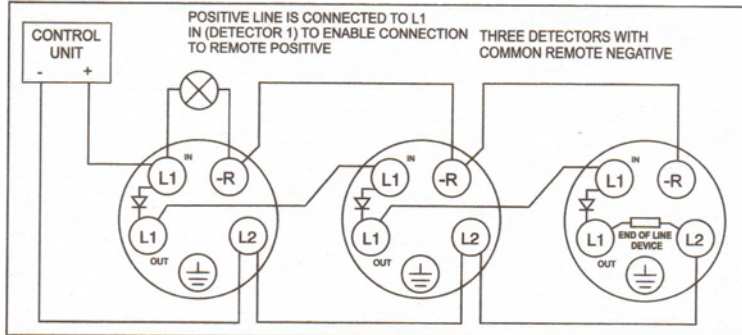


S60 DIODE MOUNTING BASE

PART No. 45681-201



Schematic Wiring Diagram of S60 Monitored Detector Circuit



Schematic Wiring Diagram of S60 Monitored Detector Circuit

With a Common Remote Indicator

Note: Polarity Must be Observed On Detectors as Indicated on Schematic Wiring Diagram.

Earth Terminal is Provided for Easier Installation. It is Not Required by the Detector head.

Refer To Apollo Engineering Product Guide For Full Technical Information

APOLLO FIRE DETECTORS LIMITED, 36 BROOKSIDE ROAD, HAVANT, P09 1JR ENGLAND