

Installation Sheet

Astro Finger Guard Clear

Revision 1 - April 2018

Astro Finger Guard Clear Tools & Equipment

- Pencil
- Clean Cloth
- Degreaser



Introduction

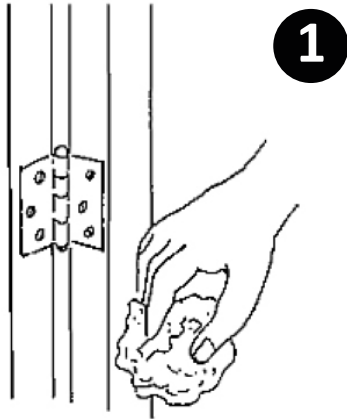
Please read this instruction carefully before installing and using the device. The protective function and any possible guarantee of the device might be affected if you do not follow the instructions. Pass the instructions to the end user for future reference.

WARNING – REPLACE THE DEVICE IF ANY PART IS BROKEN, TORN OR MISSING

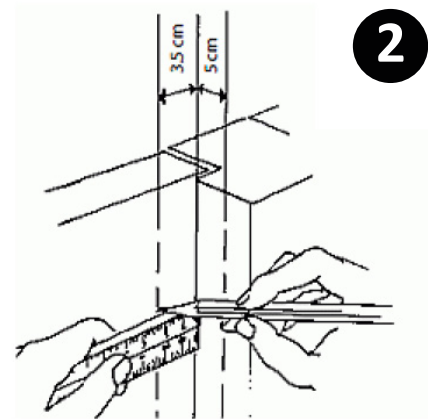
The Astro Finger Guard Clear is suitable for:

- Standard timber or steel framed doors Minimum 35mm door thickness Butt hinged doors
- Conventional pedestrian door sizes Opening angles up to 110° on the hinged side.

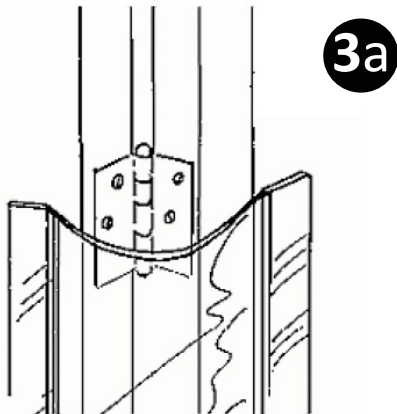
Installation



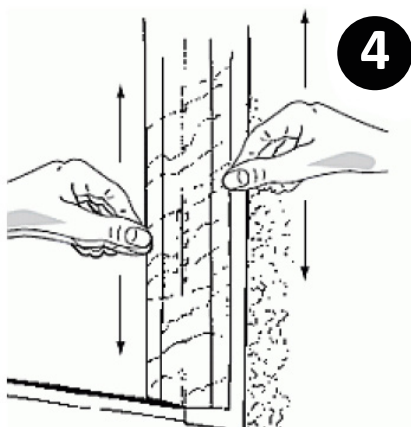
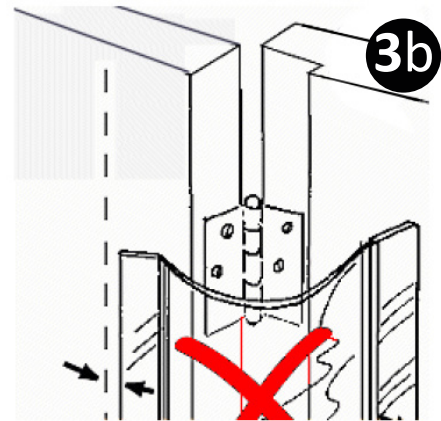
1. Open the door and thoroughly clean and dry the door and frame, ensuring that no grease or other residues remain.



2. Close the door. Lightly draw with a pencil two vertical lines, one on the door exactly 3.5 cm from the corner, and one on the door frame exactly 5 cm from the corner, up to a height of 1.2 mtr from the floor.



3a. Open the door at exactly 45 degrees and remove the protective paper from one adhesive strip. Attach the adhesive strip to the doorframe just inside the guideline, ensuring that the bottom of the strip is no more than 0.5 cm above the floor. Remove the protective paper from the second adhesive strip and attach it to the door. (See Drawing 3a and 3b)



4. To ensure correct adhesion, rub your fingers firmly up and down the adhesive strips for 2 minutes. Then close the door and do not open for at least 15 minutes. If the above installation instructions of placement of strips at 3.5 cm and 5 cm from the corner of the door are not followed properly, a gap may result making the strips less effective, which may result in an accident.

Storage and disposal

Astro Finger Guard Clear should be stored indoors. No shelf life is given as this product will not deteriorate in storage. For further information on installation requirements please contact the technical team on: tel [01329 844 500](tel:01329844500) or email sales@astroflame.com

As part of our policy of ongoing improvements, we reserve the right to modify, alter or change product specifications without giving notice. Product illustrations are representations only. All information contained in this document is provided for guidance only, and as ASTROFLAME FIRESEALS LTD has no control over the installation methods of the products, or of the prevailing site conditions, no warranties expressed or implied are intended to be given as to the actual performance of the products mentioned or referred to, and no liability whatsoever will be accepted for any loss, damage or injury arising from the use of the information given of products mentioned or referred to herein.

The above information to the best of our knowledge is true and accurate and based upon current test data and is supplied for your guidance only. Customers should satisfy themselves to the suitability of the product in its intended use and no guarantee is given or implied since the conditions of actual use are beyond our control. ASTROflame (Fireseals) Ltd, disclaim any liability for loss, damage or other expense arising from the use of information, data or products mentioned or referred to and reserve the right to change any details or specifications without notice.